



The SD025A460WSW power supply has been optimised for use in the value Mid Range Workstation segment, and features two separate SELV compliant 12V outputs used to provide power in motherboards capable of supporting dual processors, with high PCI and Memory loading. It features five main outputs and a 5 volt auxiliary output, and meets the requirements of the EN61000-3-2 regulation for limited harmonics (PFC). The power supply has a standard PS2 face plate, and has common PS2 mounting features.

Standard Features

- High Reliability
- Power Factor Correction
- Built in EMI filter (VDE Level B)
- E Star Compliant
- No Cross regulation or Combined Load Limit
- Short Circuit, Over Voltage and Over Current Protection on all outputs
- Advance power fail warning
- Auto re-start after AC power fail
- TTL compatible Power Good signals
- Low noise, 80mm Ball bearing fan
- +5V Standby output

Environmental

- Operating Temperature: 10°C to 50°C
- Storage Temperature: -40°C to 70°C
- Relative Humidity: 8% to 95% @ 10°C to 50°C Non Condensing

Reliability:

MTBF > 200K Hours

Electrical Specifications

Input

- Voltage Range: 90 – 264VAC
- PFC: Complies with EN61000-3-2 (PF > 0.95)
- Frequency: 47 – 63 Hz
- EMI/RFI: Certified FCC 20780 Part 15 Subpart J, Class B and VDE 0871 Level B CISPR 22 Class B CE Compliant
- Efficiency: 70% @ Full Load (Nominal Line)
- Leakage Current <0.75mA @ 240VAC to GND
- Remote on/off: TTL compatible

Safety

Certified to:

UL: UL1950 / CSA:CSA22.2 No. 234 M90
 TUV: EN60950/DIN VDE0805/IEC 950 IEC950 Nordic
 Deviations CB - IEC950 Including Nordic Deviations

Output						
• Maximum Continuous Power		460W @ 50° C		• No Cross regulation or combined load limit		
• Maximum Surge Power		500W @ 50° C		• Hold-up 20mS Full Load		
Rating Output	Voltage	Regulation	Minimum Load	Maximum Load	Peak	Ripple P-P (Max)
1	+3.3V	+/-4%	1A	45A	-	50mV
2	+5V	+/- 4%	1A	27A	-	50mV
3	+12Vi/o	+/- 5%	0.1A	16A	18.2A	120mV
4	12Vcpu	+/- 5%	0.1A	18A	-	120mV
5	-12V	+/-5%	0A	0.6A	-	50mV
6	+5Vs/b	+/-5%	0A	3A	-	50mV

Mechanical Size	Width	Height	Length
PS2- 180 Form Factor	150 mm	86 mm	180 mm

The information contained in this data sheet represents typical performance of the product, and is subject to change without notice. Product performance may be varied or enhanced to meet individual requirements. For further information please contact your local sales office



NMB Technologies Inc, 9730 Independence Avenue, Chatsworth, California USA Tel: (818) 341 3355 Fax: (818) 341 8207
Minebea Electronics (UK) Ltd., 32 Fountain Drive, Inchinnan Business Park, Renfrewshire PA4 9RF, Scotland, Tel (44) 141 814 7700 Fax (44) 141271 1108
NMB Minebea GmbH, Siemenstrasse 30, 63225 Langan Germany, Tel (49) 6103-913-0 Fax (49) 6103-913-220
NMB Minebea Sarl, 5 Av. Des Bosquets, 9550 Baillet en France, France Tel: (33)1-34083939 Fax (33)1-34083930
NMB Italy Srl, Via A Grandi 39/41, 20017 Mazzo di Rho, Milan Italy, Tel (39) 2-939711 Fax (39) 2-93901154
Minebea Technologies Pte. Ltd PSA Building, 460 Alexandra Road, #34-02, Singapore 119963, Tel (65) 278 8522, Fax (65) 444 6527

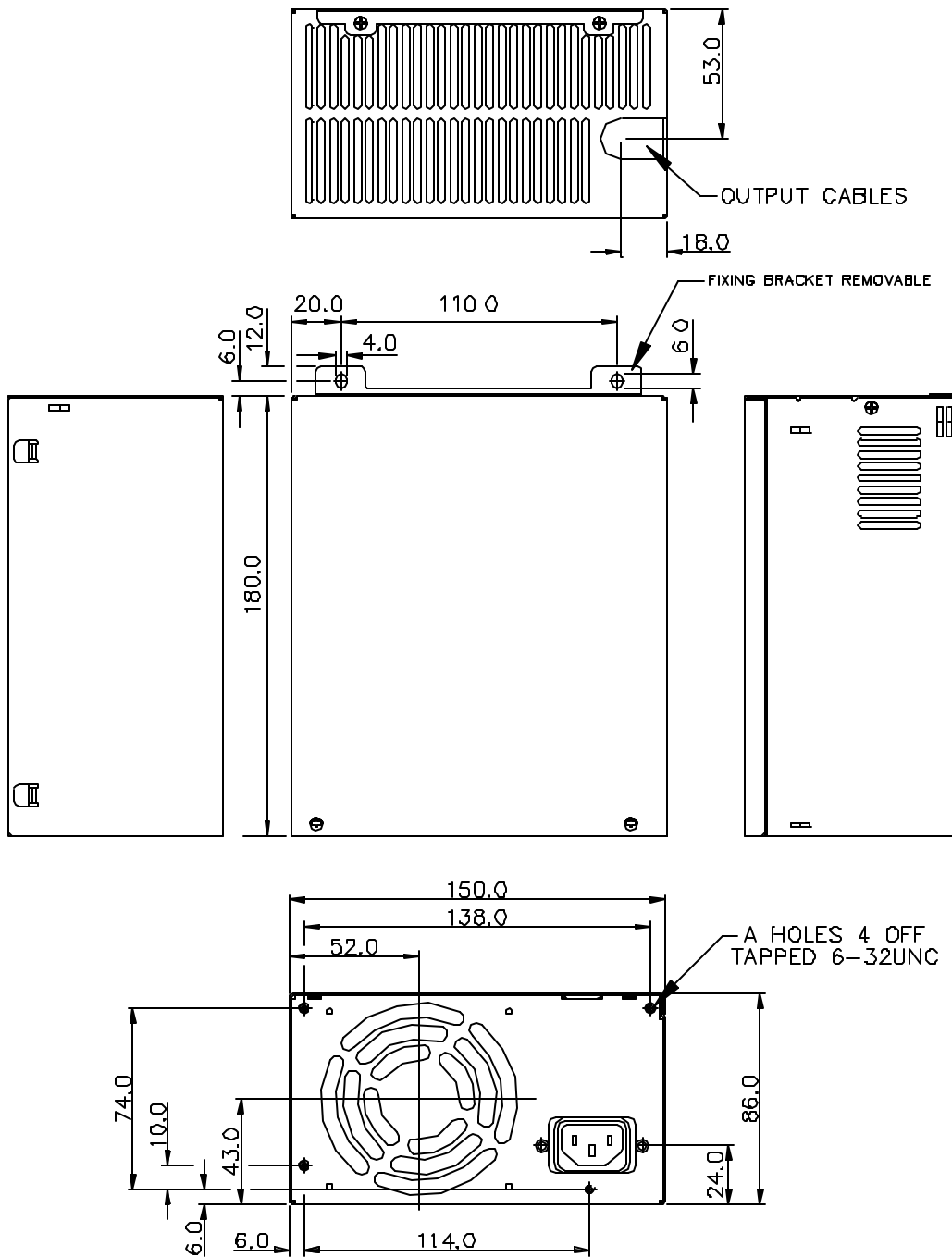
Stretch PS2 Series 460W PS2-180 Form Factor

[SD025A460WSW]



[SD025A460WSW]

Stretch PS2 Series 460W PS2-180 Form Factor



The information contained in this data sheet represents typical performance of the product, and is subject to change without notice. Product performance may be varied or enhanced to meet individual requirements. For further information please contact your local sales office

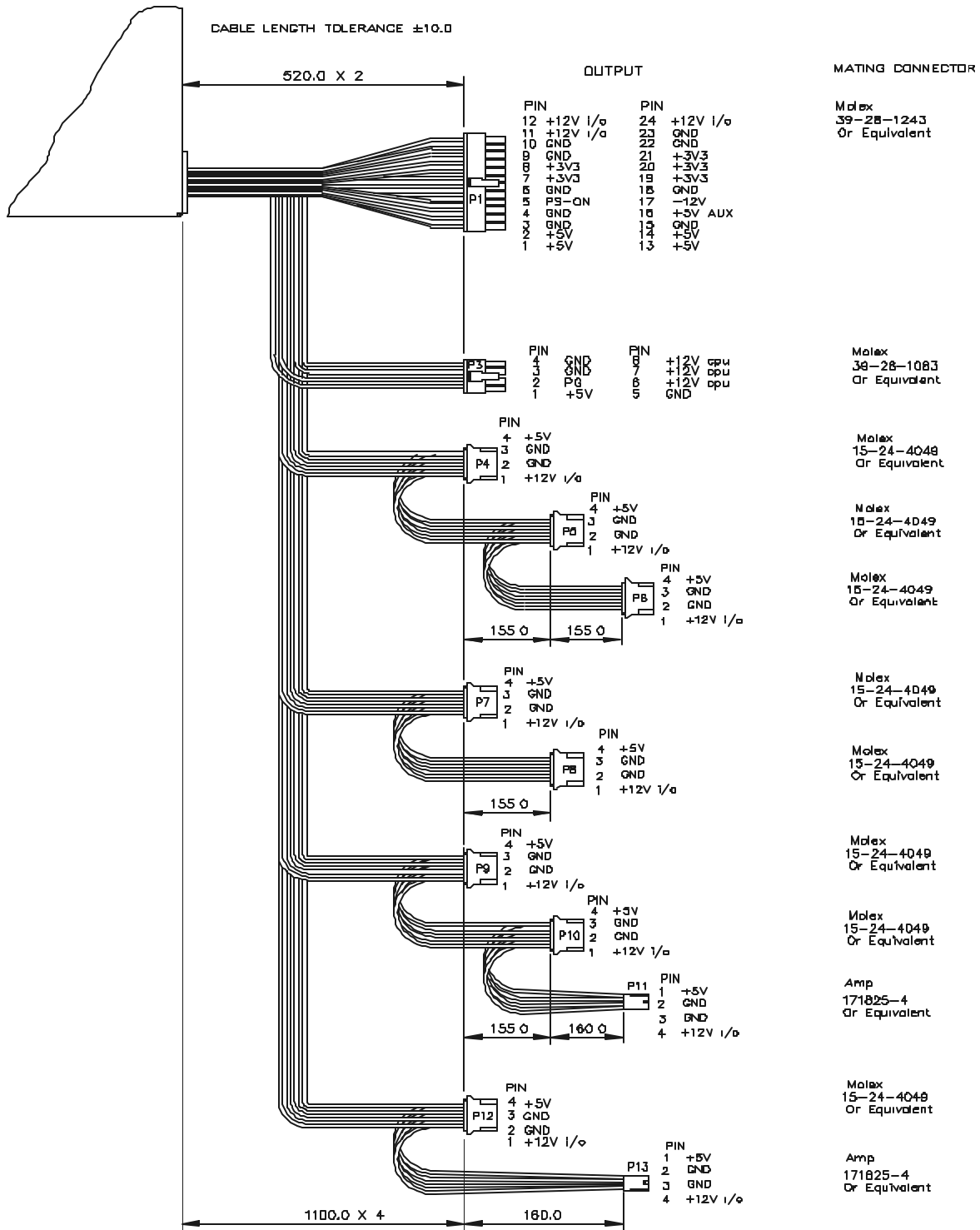


NMB Technologies Inc, 9730 Independence Avenue, Chatsworth, California USA Tel: (818) 341 3355 Fax: (818) 341 8207
Minebea Electronics (UK) Ltd., 32 Fountain Drive, Inchinnan Business Park, Renfrewshire PA4 9RF, Scotland, Tel: (44) 141 814 7700 Fax: (44) 141271 1108
NMB Minebea GmbH, Siemensstrasse 30, 63225 Langan Germany, Tel: (49) 6103-913-0 Fax: (49) 6103-913-220
NMB Minebea Sarl, 5 Av. Des Bosquets, 9550 Baillet en France, France Tel: (33)1-34083939 Fax: (33)1-34083930
NMB Italy Srl, Via A Grandi 39/41, 20017 Mazzo di Rho, Milan Italy, Tel: (39) 2-939711 Fax: (39) 2-93901154
Minebea Technologies Pte. Ltd. PSA Building, 460 Alexandra Road, #34-02, Singapore 119963, Tel: (65) 278 8522, Fax: (65) 444 6527



[SD025A460WSW]

Stretch PS2 Series 460W PS2-180 Form Factor



The information contained in this data sheet represents typical performance of the product, and is subject to change without notice. Product performance may be varied or enhanced to meet individual requirements. For further information please contact your local sales office



NMB Technologies Inc 9730 Independence Avenue, Chatsworth, California USA Tel: (818) 341 3355 Fax: (818) 341 8207

Minebea Electronics (UK) Ltd. 32 Fountain Drive, Inchinnan Business Park, Renfrewshire PA4 9RF, Scotland, Tel: (44) 141 814 7700 Fax: (44) 141271 1108

NMB Minebea GmbH Siemenstrasse 30, 63225 Langan Germany, Tel: (49) 6103-913-0 Fax: (49) 6103-913-220

NMB Minebea Sarl 5 Av. Des Bosquets, 9550 Baillet en France, France Tel: (33)1-34083939 Fax: (33)1-34083930

NMB Italy Srl Via A Grandi 39/41, 20017 Mazzo di Rho, Milan Italy, Tel: (39) 2-939711 Fax: (39) 2-93901154

Minebea Technologies Pte. Ltd. PSA Building, 460 Alexandra Road, #34-02, Singapore 119963, Tel: (65) 278 8522, Fax: (65) 444 6527



Application Note:

Please note - If you have an SD025A460WSW **Rev. 02** power supply (marked under REV heading on the power supply label), the minimum load has been changed to 100mA and there is no need to follow this application note. If you have a **Rev. 01**-power supply, then please follow this application note.

If your Tyan S2462 based System fails to power up, you may not be meeting the minimum load specifications for this power supply. To ensure that the Minimum specification is meet, please follow the proscribed integration sequence listed below:

Prior to first power up, please install system peripherals using the peripheral power cables from the PSU, and system fans using the following fan connectors on the m/b- Fan1, J54, J90, J58 or J56. This will ensure successful system initialization during first power up.

The information contained in this data sheet represents typical performance of the product, and is subject to change without notice. Product performance may be varied or enhanced to meet individual requirements. For further information please contact your local sales office



NMB Technologies Inc 9730 Independence Avenue, Chatsworth, California USA Tel: (818) 341 3355 Fax: (818) 341 8207
Minebea Electronics (UK) Ltd. 32 Fountain Drive, Inchinnan Business Park, Renfrewshire PA4 9RF, Scotland, Tel (44) 141 814 7700 Fax (44) 141271 1108
NMB Minebea GmbH Siemenstrasse 30, 63225 Langan Germany, Tel (49) 6103-913-0 Fax (49) 6103-913-220
NMB Minebea Sarl 5 Av. Des Bosquets, 9550 Baillet en France, France Tel (33)1-34083939 Fax (33)1-34083930
NMB Italy Srl Via A Grandi 39/41, 20017 Mazzo di Rho, Milan Italy, Tel (39) 2-939711 Fax (39) 2-93901154
Minebea Technologies Pte. Ltd. PSA Building, 460 Alexandra Road, #34-02, Singapore 119963, Tel (65) 278 8522, Fax (65) 444 6527